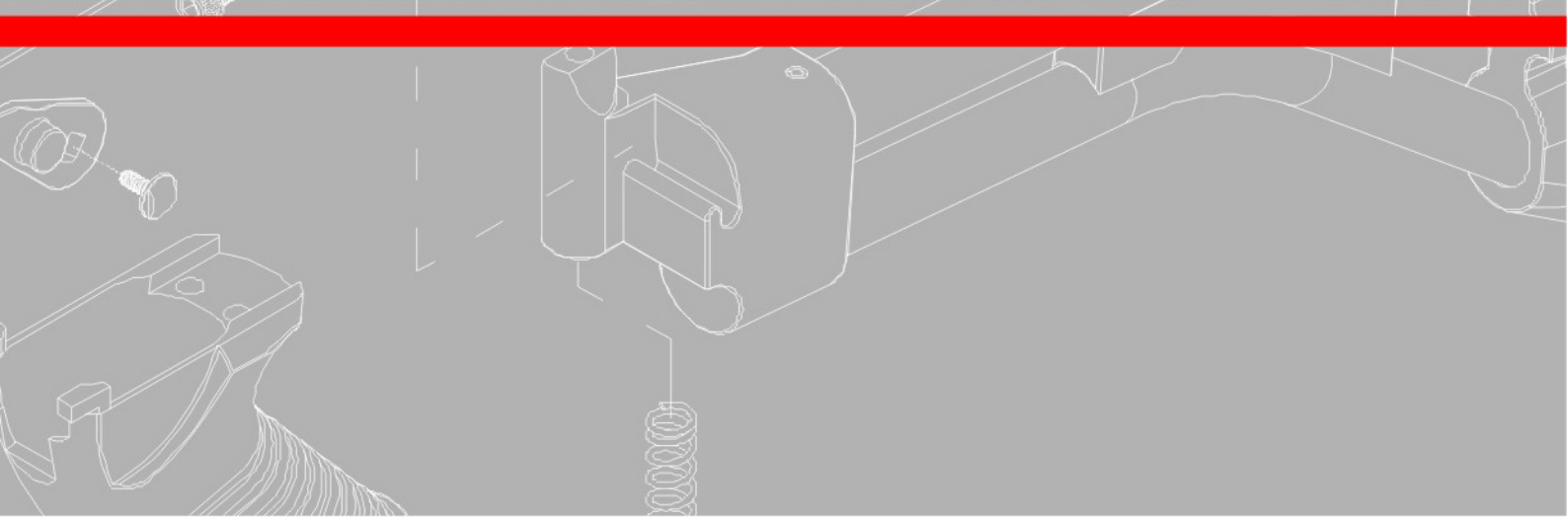
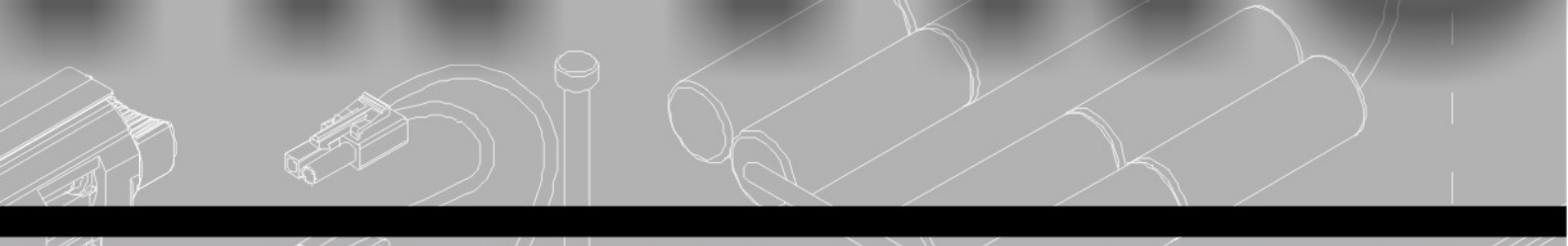
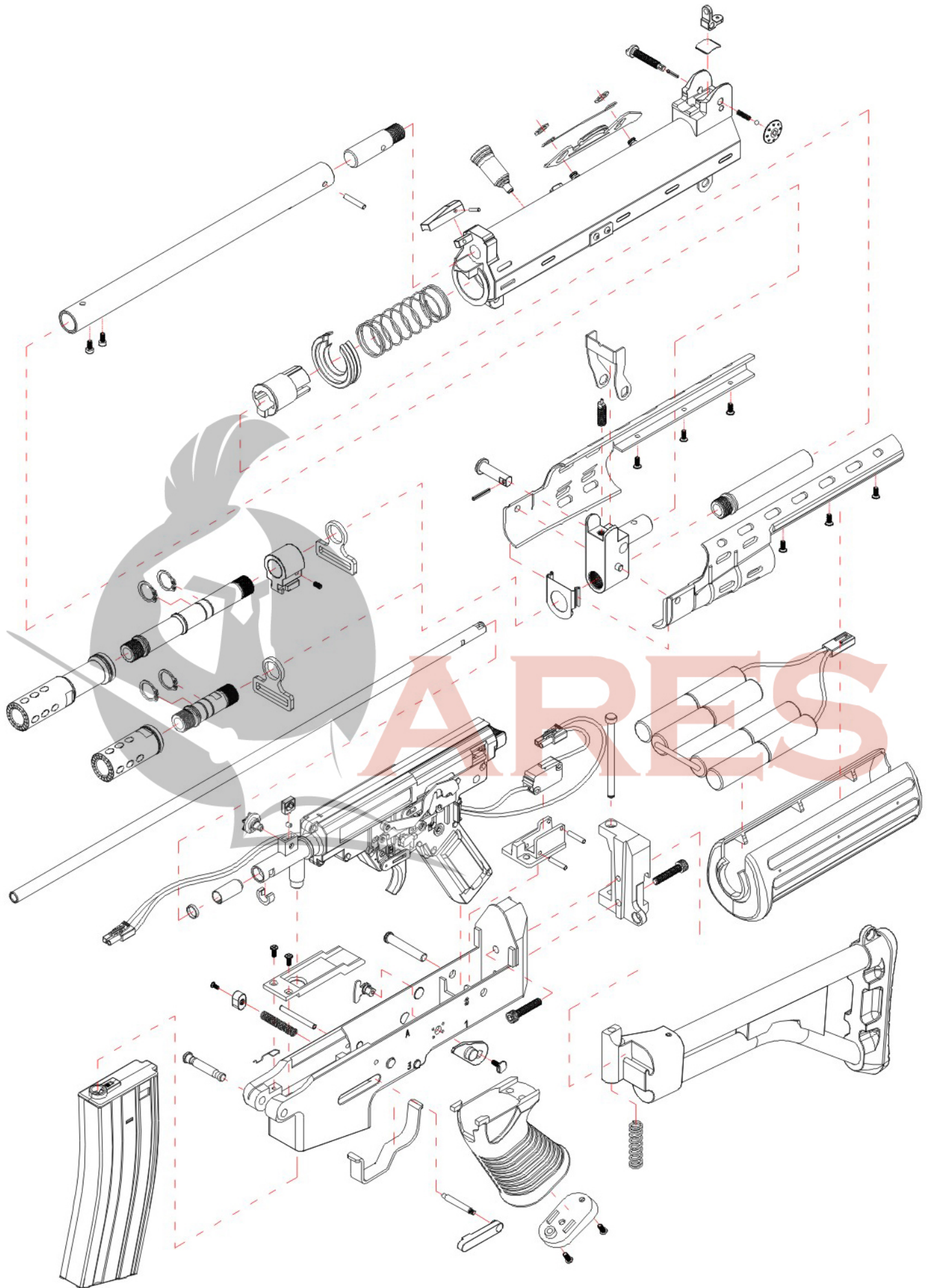


# FN FN G



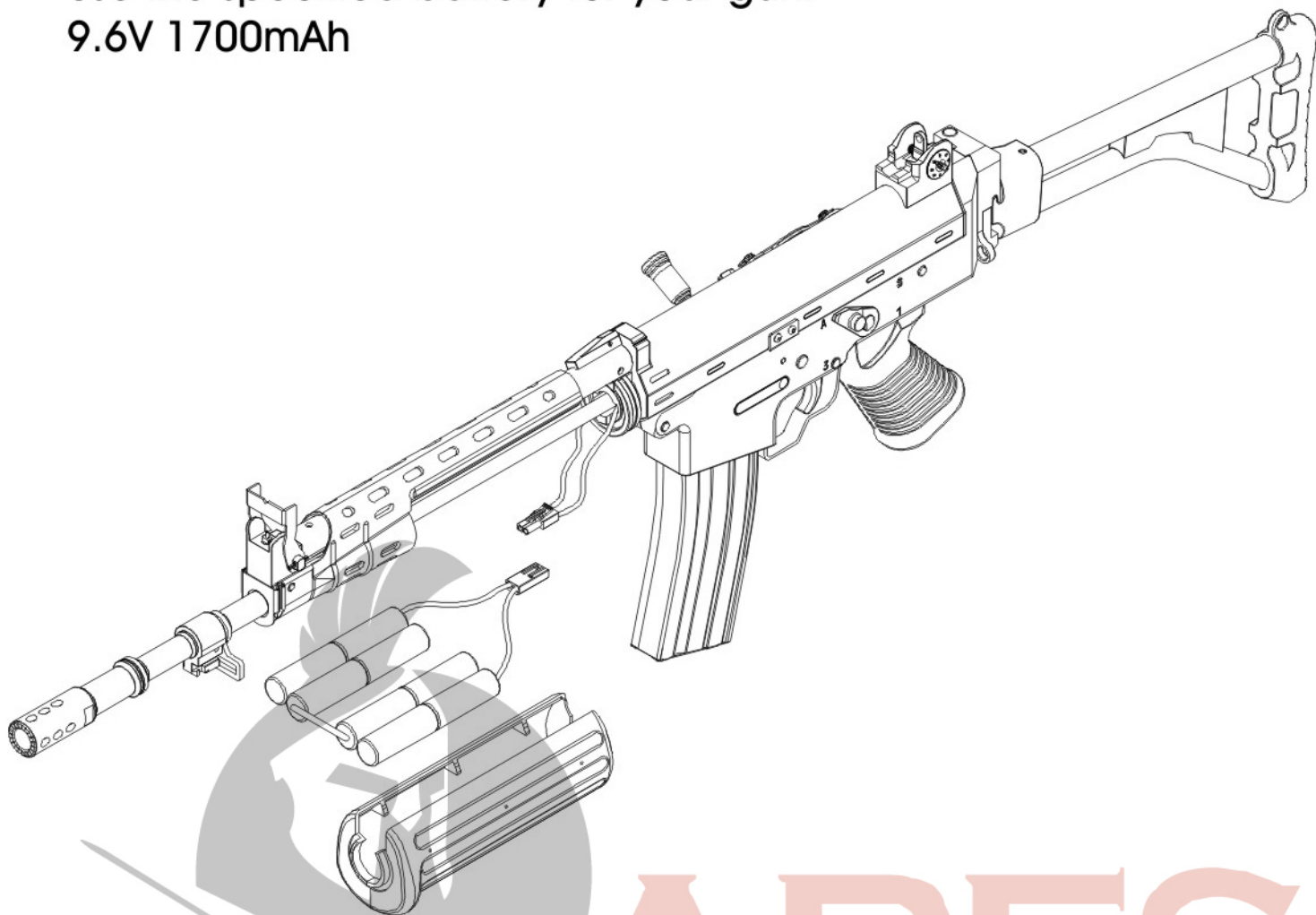




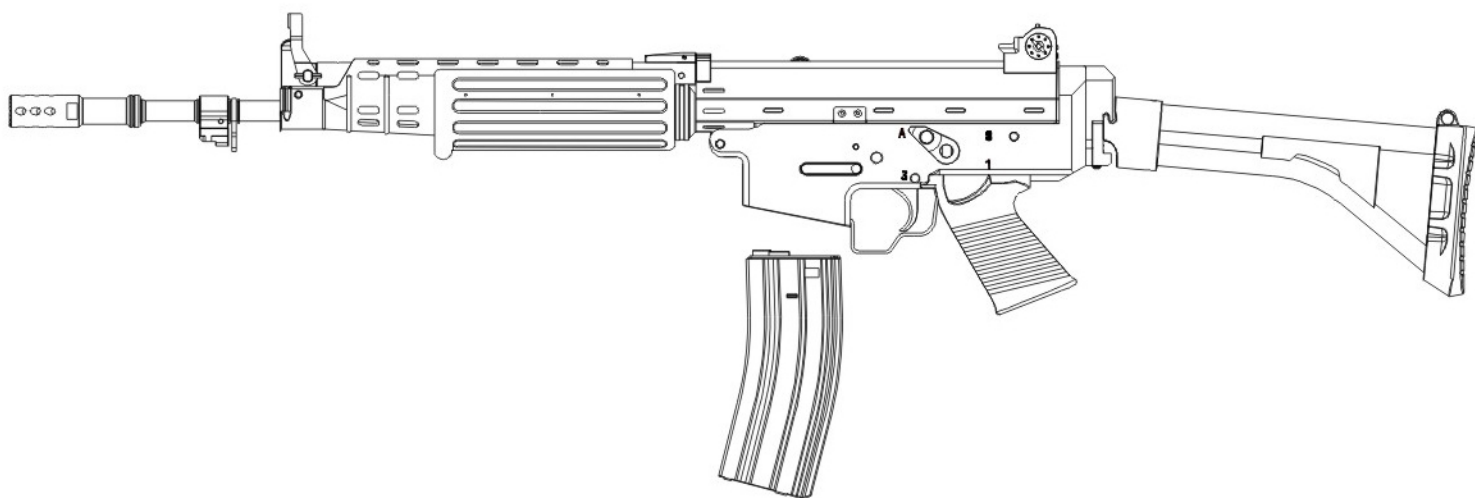
# Insert the battery

Use the specified battery for your gun.

9.6V 1700mAh



# Setting the magazine



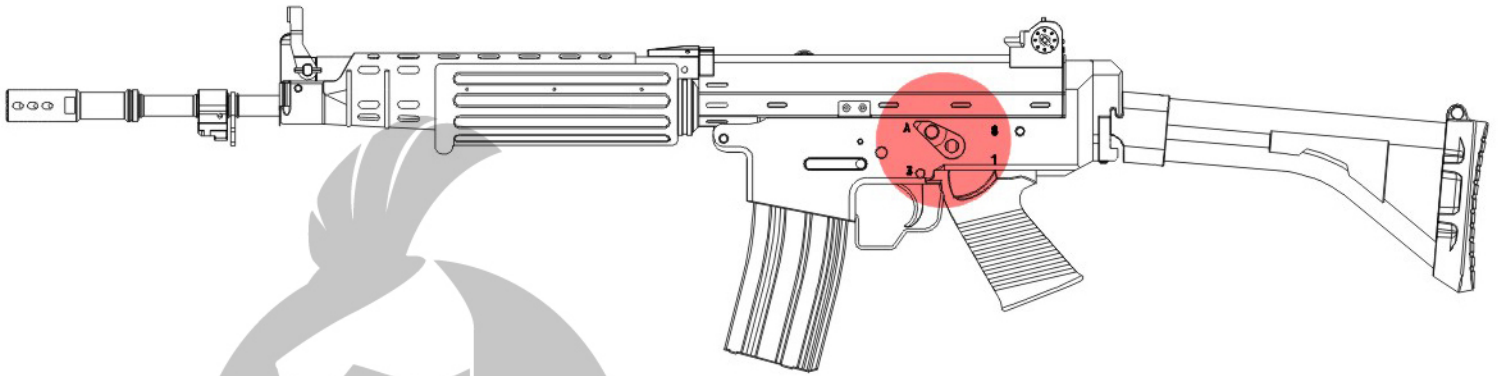
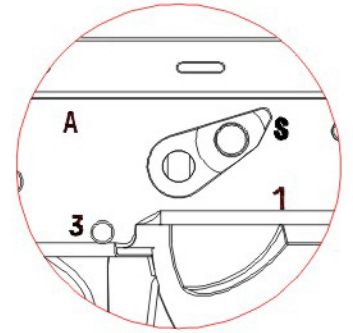
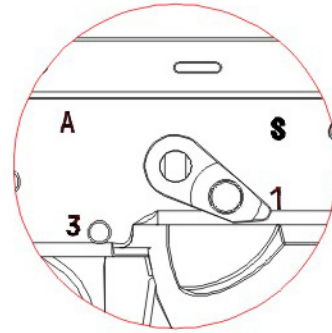
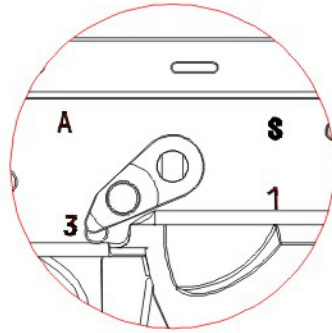
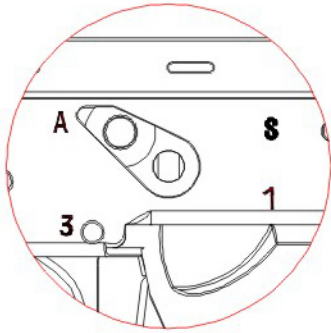
# Firing mode

Auto

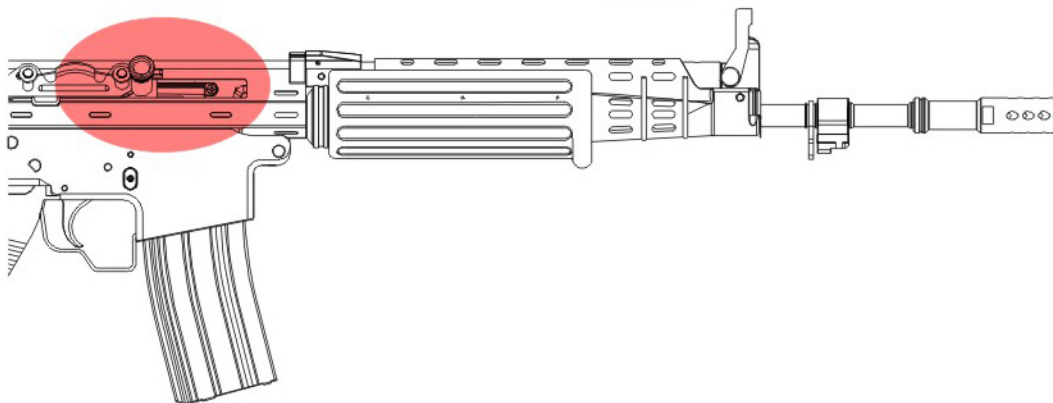
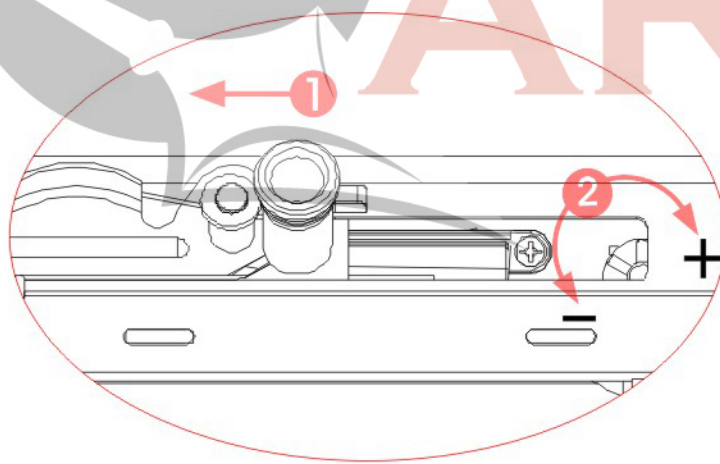
Burst

Single

Safety



# Hop-up adjustment



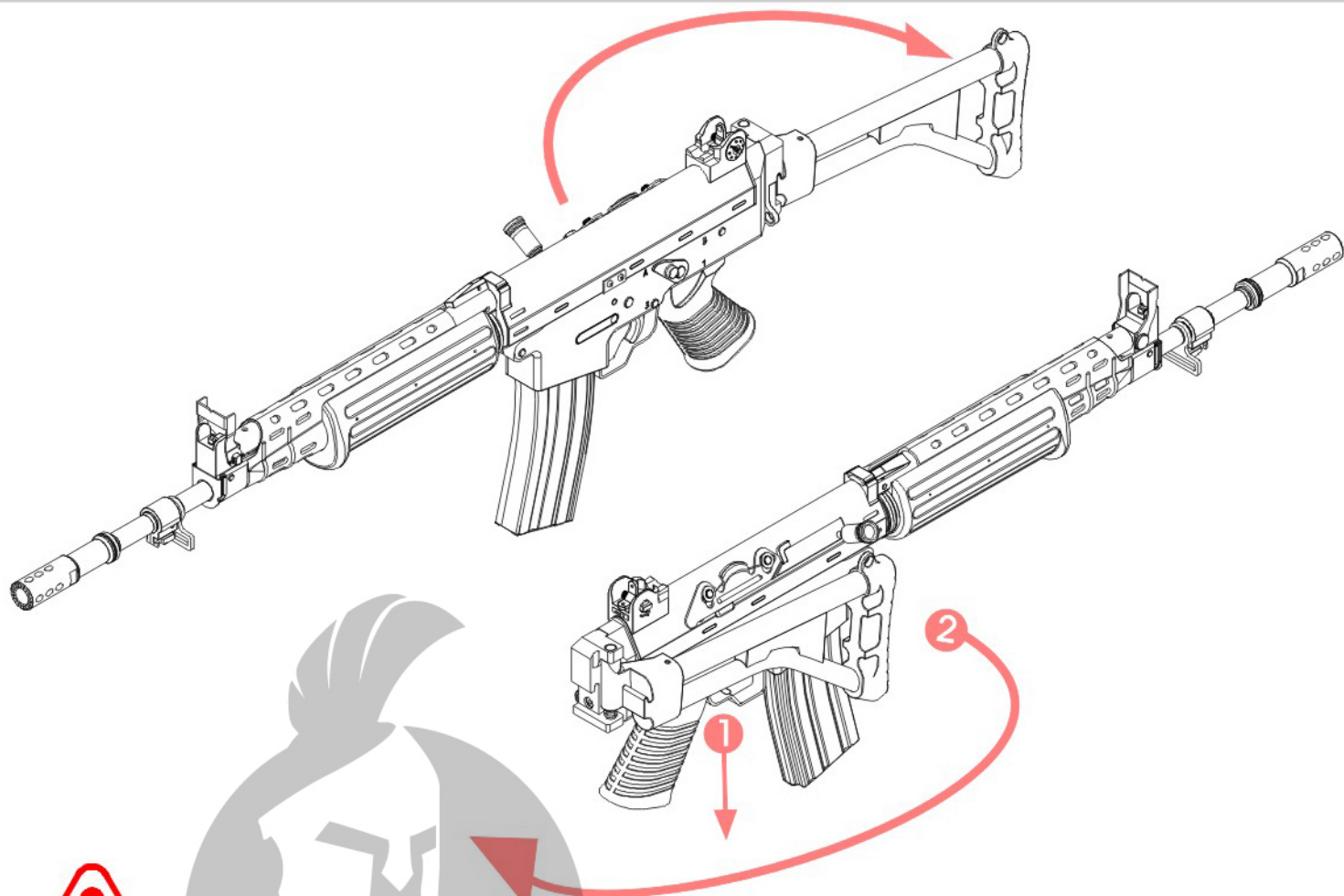
EXCESSIVE HOP UP -

BEST POSITION

NOT ENOUGH HOP UP +

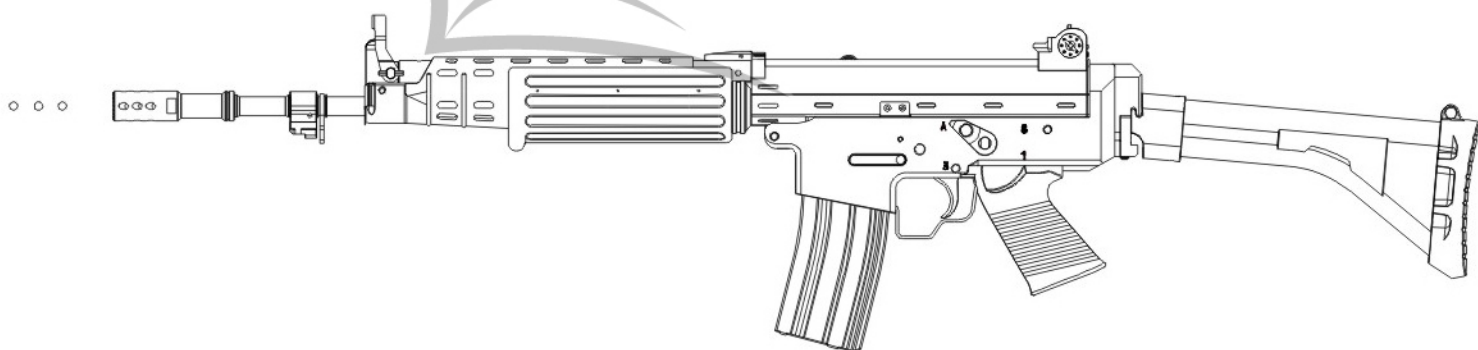
# ARES

# Folding Stock



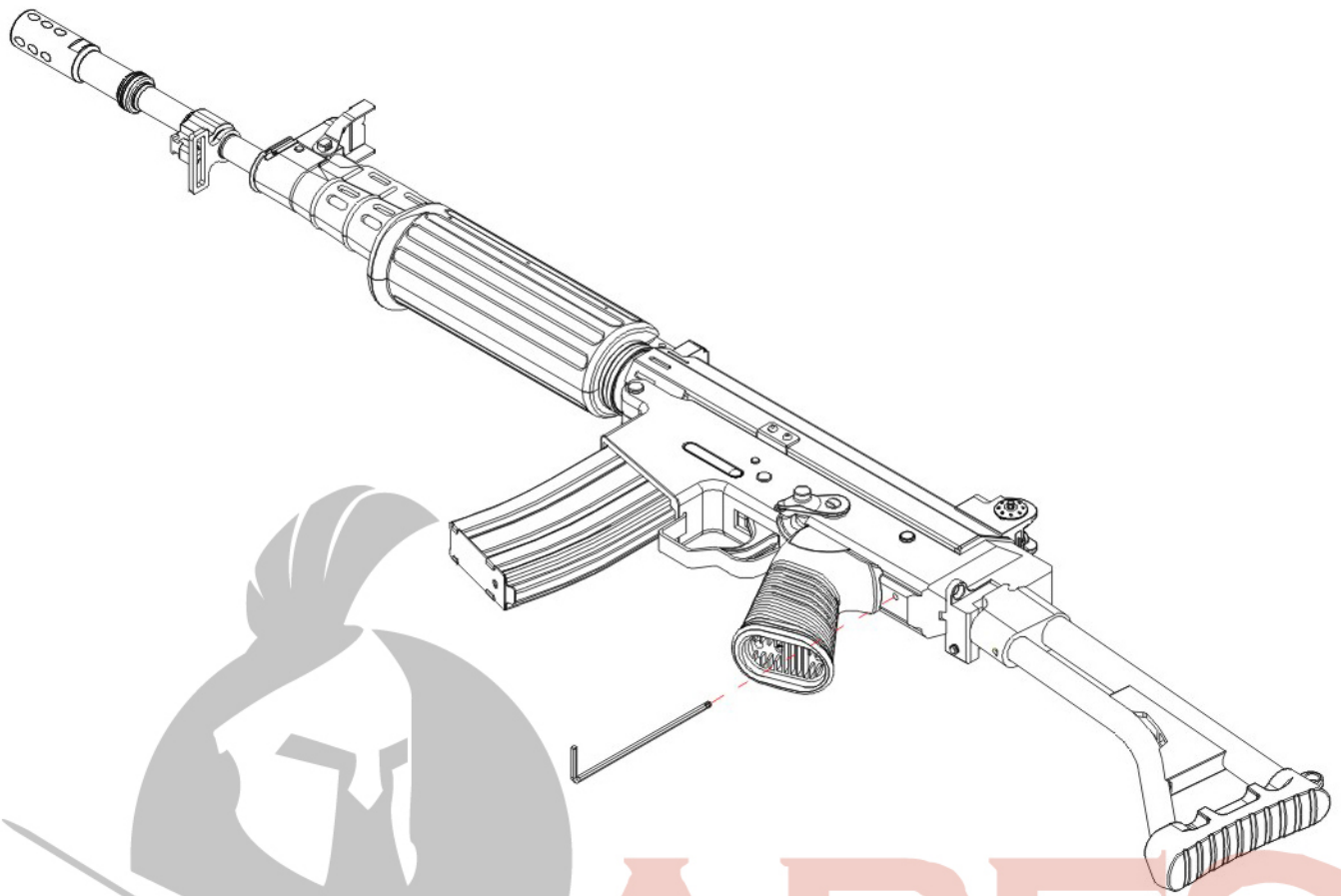
**WARNING**

ARES



- .Do not aim or shoot a person or animal as the target.
- .Avoid pulling the trigger carelessly.
- .Always put the gun in a case or bag when you carrying it.
- .Always set the switch lever to the safety position.
- .Do not look into the gun muzzle.
- .Always wear eye protective gear.
- .Store the airsoft gun at the places out of reach by children.
- .Do not disassemble or modify the airsoft gun.

# Bipod setting & Reddot sight battery install



Optional accessories

ARES



# **DATA OF ARES FN FNC ELECTRIC GUN**

**MATERIAL: NYLON FIBER & ZINC ALLOY**

**HOPUP SYSTEM: ADJUSTABLE**

**LENGTH: 710MM/836MM**

**WEIGHT: 4235G**

**MAGAZINE CAPACITY: 130 ROUNDS**

**BULLET: 6MM BB BULLETS**

**BATTERY: 9.6V 1700MAH**

**MOTOR: HIGH TORQUE FLAT MOTOR**



